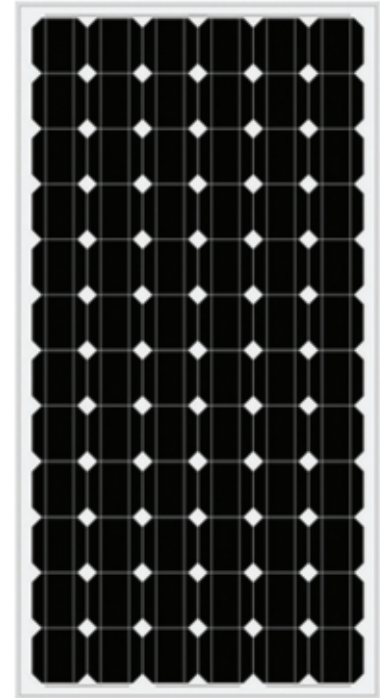


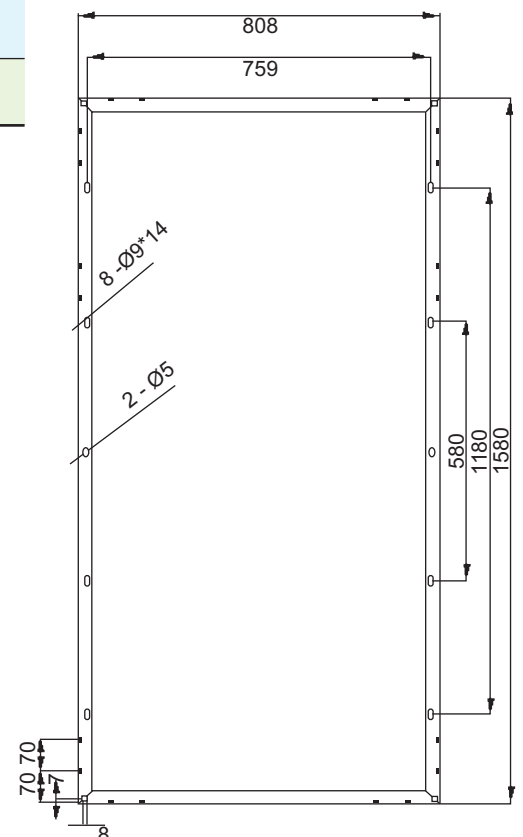
High Performance Mono Crystalline SPV Module

Specification			
Model	ESC-72M-180	ESC-72M-185	ESC-72M-190
Cell Size (mm)	125*125	125*125	125*125
No. of Cells (Pcs)	72	72	72
Dimensions (mm)	1580*808*35	1580*808*35	1580*808*35
Solar Cell Efficiency	17.00%	17.50%	17.60%



Electrical Characteristics			
Model	ESC-72M-180	ESC-72M-185	ESC-72M-190
Max Power (Wp)	180	185	190
Max. Power Voltage (Vmp)	36	36.2	36.5
Max. Power Current (Imp)	5.00	5.11	5.2
Open Circuit Voltage (Voc)	43.2	43.5	43.8
Short Circuit Current (Isc)	5.52	5.63	5.74

Standard Operating Conditions	
Max. System Voltage (V)	1000
Temperature Coeff. of Isc (%)	0.05/°C
Temperature Coeff. of Voc (%)	-0.35/°C
Temperature Coeff. of Pm (%)	-0.45/°C
Temperature Coeff. of Im (%)	+0.1/°C
Temperature Coeff. of Vm (%)	-0.38/°C
Nominal Operating Cell Temperature-NOCT	45 ± 2°C
Temperature Range	-40°C ~ +80°C

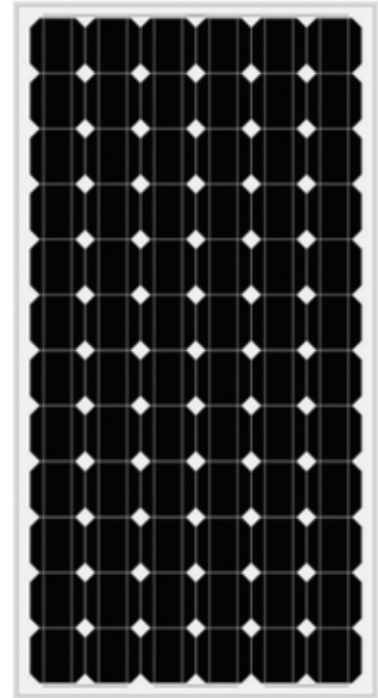




High Performance Mono Crystalline SPV Module

Other Characteristics

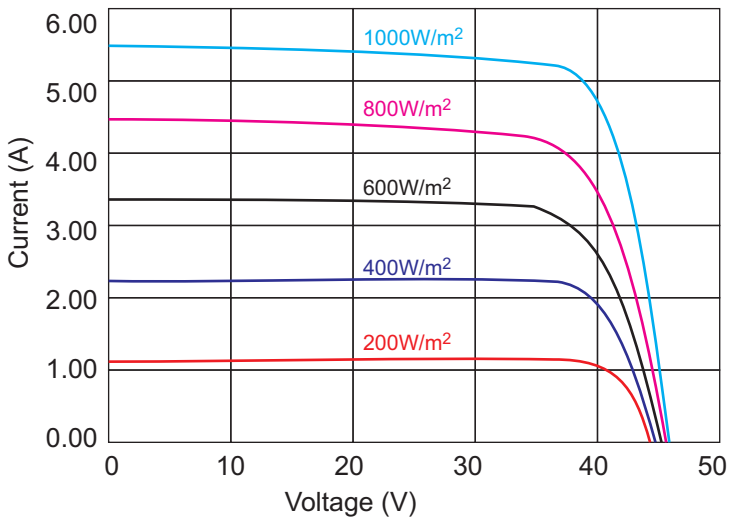
Weather Resistance Junction Box Type (TUV Safety Class II)	IP65, TUV Certified
Construction	Superstrate: High Transmission 3.2mm Tempered Low Iron Glass Substrate: White Back Sheet; Encapsulant: Fast Cure EVA
Frame	Clear anodized aluminium alloy; Color: Silver
Watt Tolerance	± 3%
Module Efficiency	15.60% / 15.80% / 16.000%
Weight	14.5 kg
Product Certifications	IEC 61215, IEC 61730 & CE



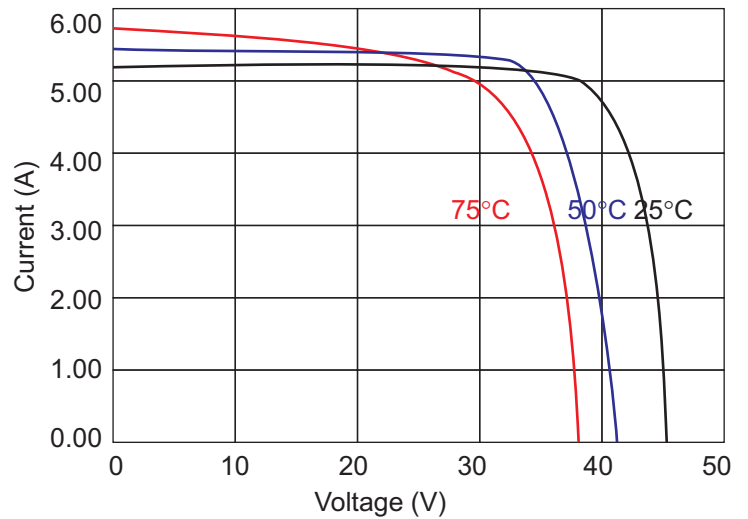
Characteristics

Module I-V Graph 180W / 185W / 190W

I-V Curves of ESC-72M-180 / 185 / 190 at different Irradiance
Cell Temp. : 25° C



I-V Curves of ESC-72M-180 / 185 / 190 at different Cell Temperature
IRRADIANCE: AM 1.5 1000W/m²



Warranty

- 2 years warranty against manufacturing defects
- 10 years warranty at 90% rated performance
- 20 years warranty at 80% rated performance

Note: This publication summarizes product warranty and specification, which are subject to change without prior notice.

